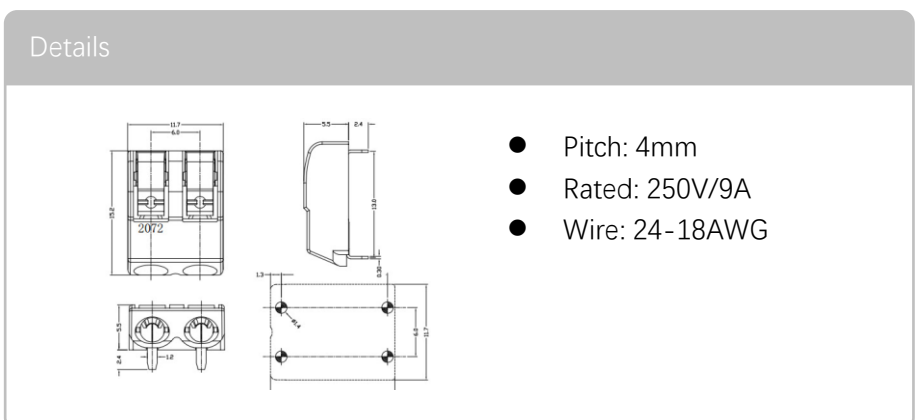
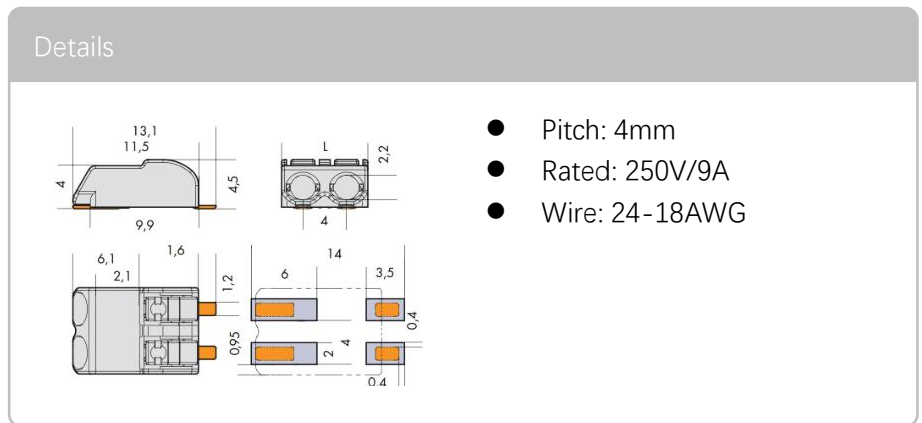


SMD PCB Terminal Block for LED Lights



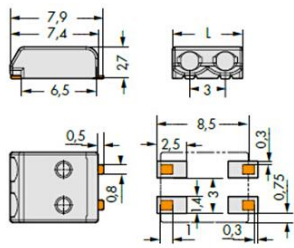
The samples are available for testing for free.

LED SMD PCB Terminal Block



LTB-14

Details



L = (pole no. x pin spacing) - 0.1 mm

- Pitch: 3mm
- Rated: 250V/3A
- Wire: 26-22AWG

1P



LTB-14-1P

2P



LTB-14-2P

3P



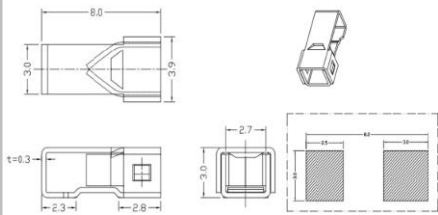
LTB-14-3P

New Mini LED SMD PCB



LTB-21-1P

Details



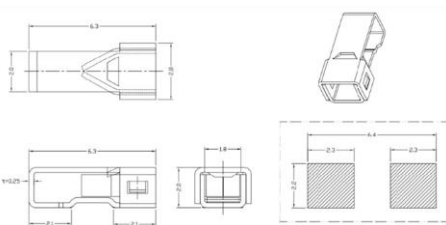
- alternative WAGO 2065,
- 1P;
- 250V/5A;
- Wire: 24-18AWG

New Mini LED SMD PCB



LTB-21-1P-V

Details



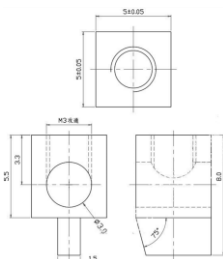
alternative WAGO 2055

LED SMD PCB Terminal Block



LTB-22

Details



- Brass
- M3.0-6H