

New

LTB-17

Pluggable Power Connector For Luminaire

Material

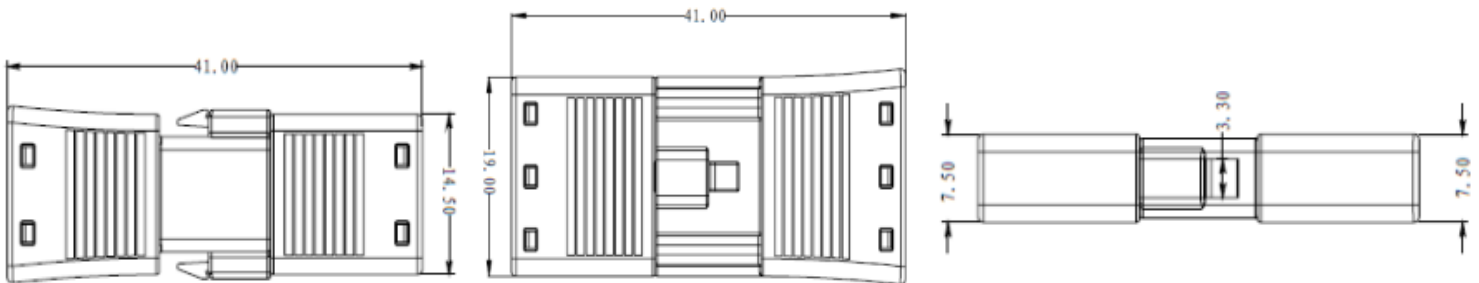
Housing: Polyamide 6/6 /94V-0 Grade

Contracts: Brass

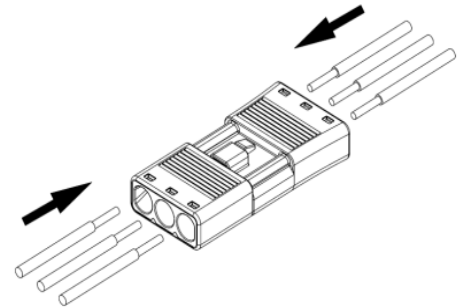
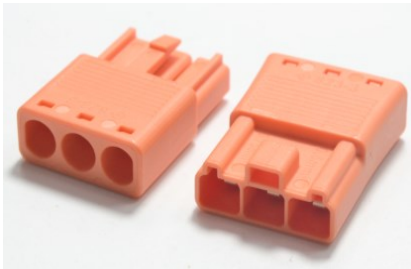


No Soldering

Dimension: (mm)



Details:



Specification:

Model No.	LTB-11	
Number Of Contracts	2	3
Rated Voltage	600V	
Rated Current	6A	
Cable OD	18- 20AWG (Solid); 18 - 20AWG (Stranded)	
Temperature rating	105°C	