

New

Shenzhen LeDe Electronic Co.,Ltd

# LWC-36

## Waterproof Hybrid Power, Signal Connector for Outdoor LED Billboard



### Material

Housing: High Performance Engineering Plastic

Contracts: Copper Alloy, Gold plated

O Ring: Silicone Rubber

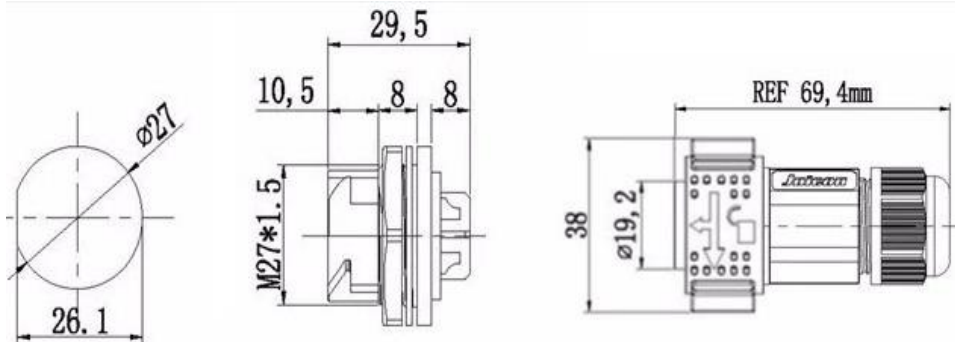


IP67 Rated



Soldering

Dimension: (mm)



Details:



Specification:

Model No.	LWC-36-2P	LWC-36-3P	LWC-36-3P9	LWC-36-2P20
Number Of Contracts	2 	3 	3 + 9 	2 + 20 
Rated Voltage	500V		300V	
Rated Current	50A		50A + 5A	50A + 2A
Work Temperature	-40°C ~ 105°C			
IP Rated	IP67			