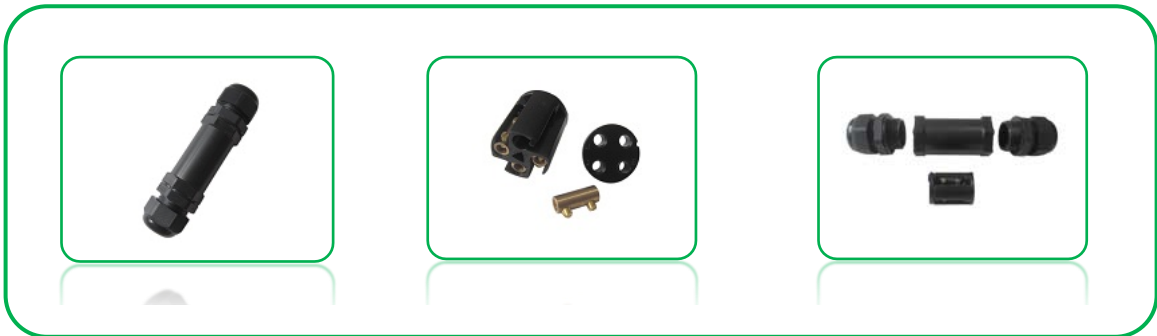


Shenzhen LeDe Electronic Co., Ltd



LWC-01:
 IP68 Waterproof Connection Box
 Screw type, free soldering.
 Suitable for stationary laying of cables in cable ducts or suspended ceilings, stationary upper-plaster laying.

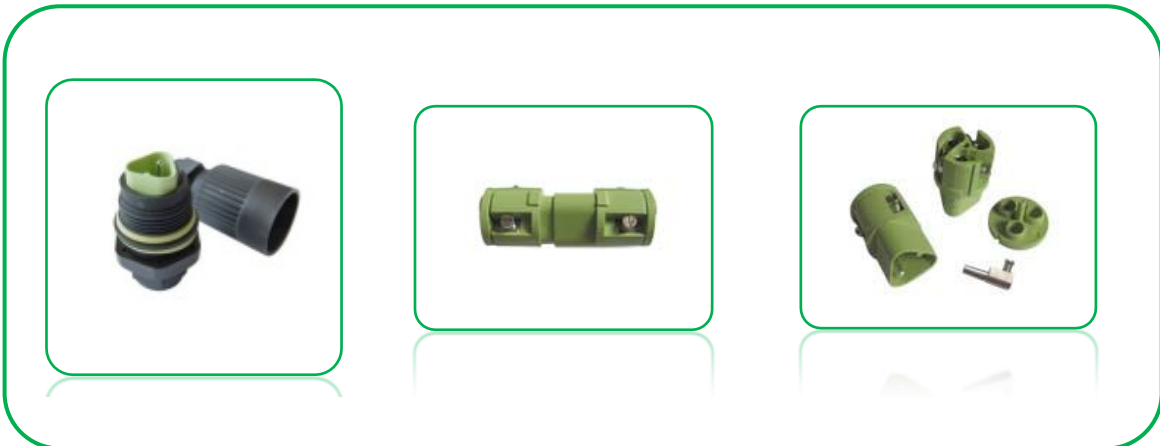
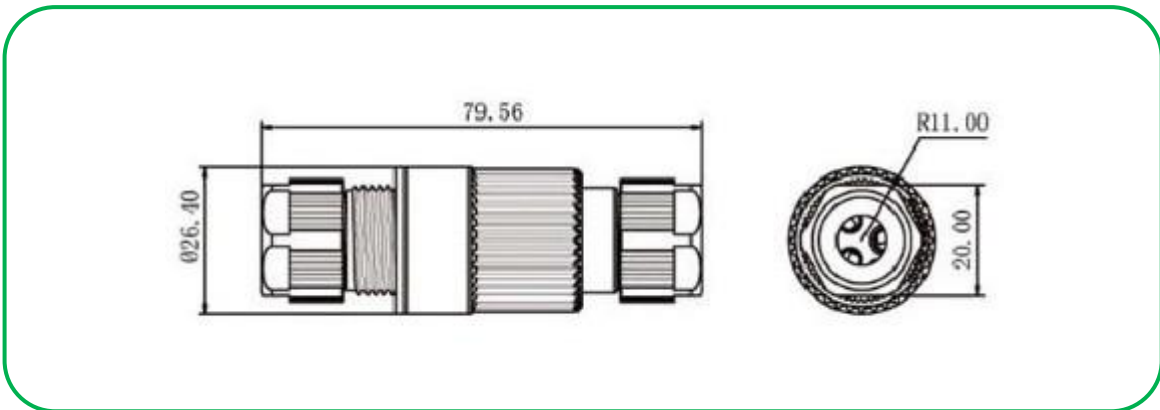
1



Number Of Contracts	2	3	4
Rated Voltage	250V		
Rated Current	15A		
Cable Diameter	6-11mm		
Connection Type	Screw		
IP Rating	68		
Shell	ABS		



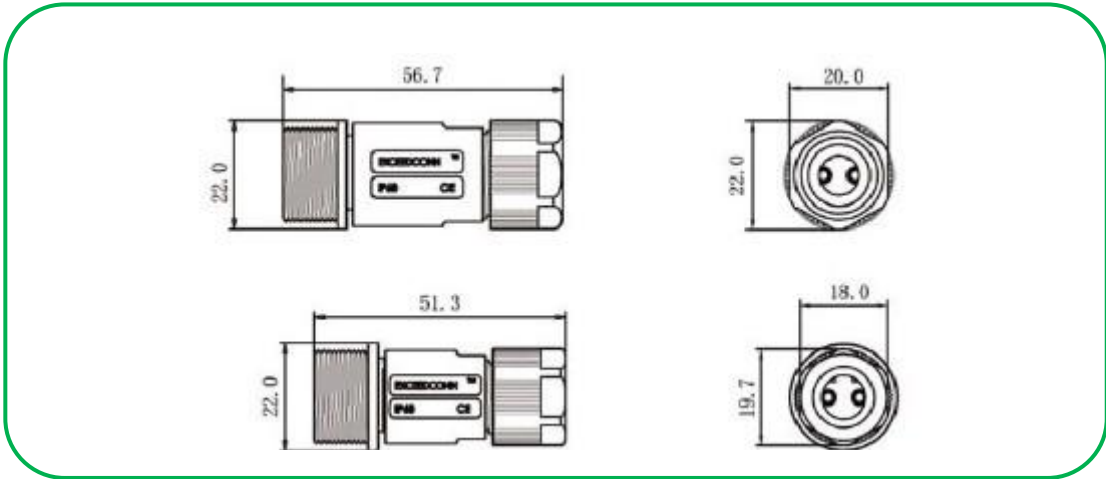
LWC-03C:
 IP68 Waterproof In-Line Cable Connector
 Suitable for domestic & industrial outdoor applications.



Number Of Contracts	3
Rated Voltage	250V
Rated Current	16A
Cable Diameter	6-11mm
Connection Type	Screw
IP Rating	68



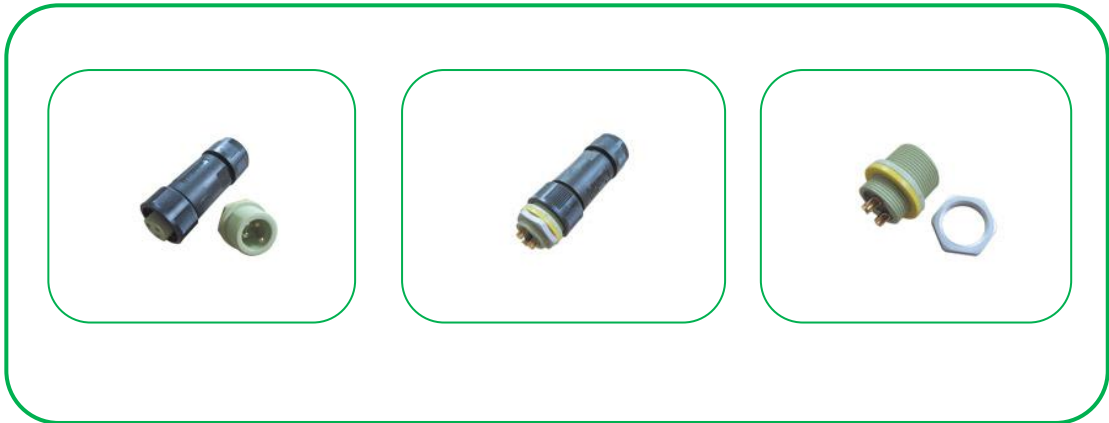
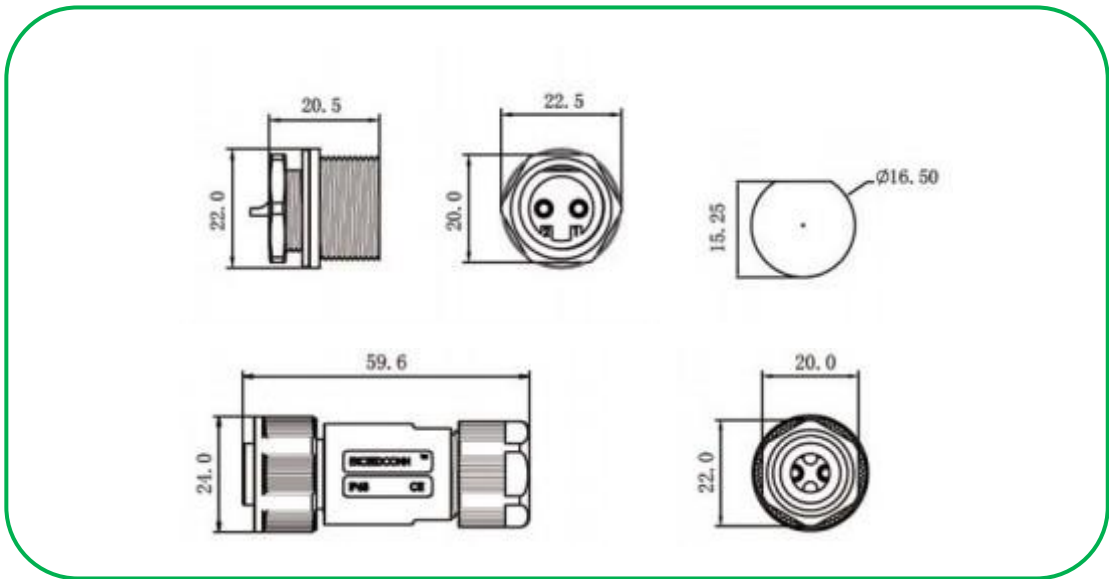
LWC-05 :
 IP68 Waterproof Power Cable Connector
 Suitable for domestic & industrial outdoor applications.



Number Of Contracts	2	3	4	5	6	8
Rated Voltage	250V		125V/250V	125V		
Rated Current	10A/15A	10A/15A	10A/15A	10A	5A	
Cable Diameter	6-11mm					
Connection Type	Soldering					
IP Rating	IP68					



LWC-06 :
 IP68 Panel Mount Waterproof Connector
 Suitable for domestic & industrial outdoor applications.



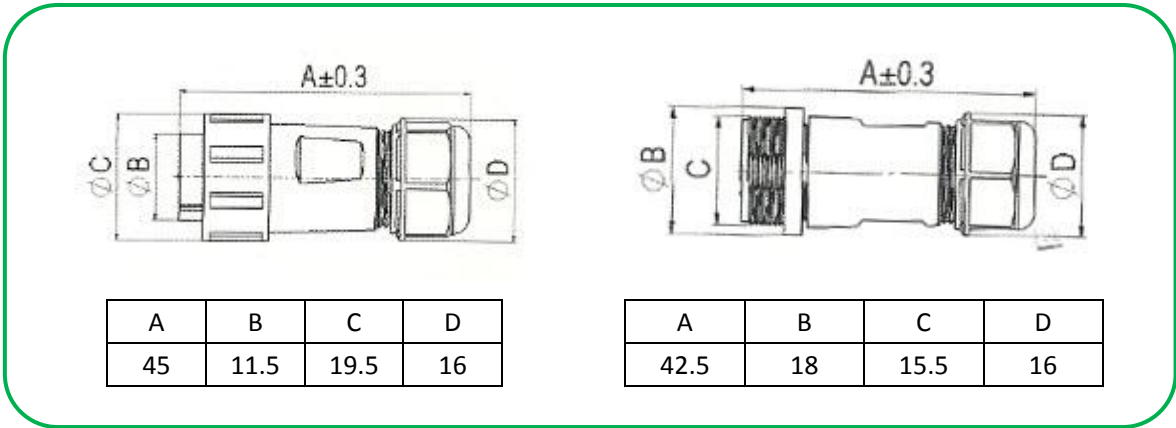
Number Of Contracts	2	3	4	5	6	8
Rated Voltage	250V		125V/250V	125V		
Rated Current	10A/15A	10A/15A	10A/15A	10A	5A	
Cable Diameter	6-11mm					
Connection Type	Soldering					
IP Rating	IP68					



LWC-11:

Mini IP68 Waterproof Circular Connector

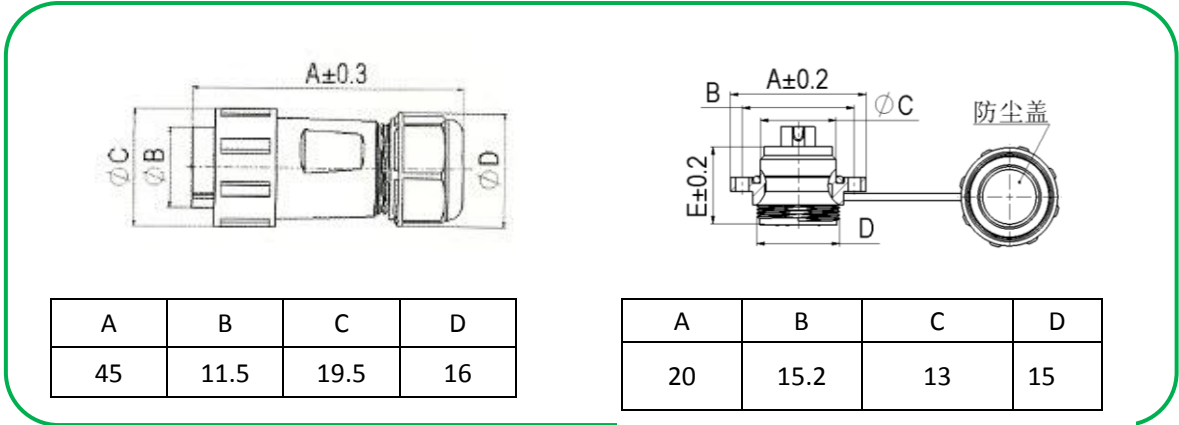
Secure, safe connections in the harshest outdoor environments. Ideal for both indoor and outdoor applications where protection from dust and moisture penetration is a crucial requirement.



Number Of Contracts	2	3	3a	4	5	6	7
Rated Voltage	250V			200V	180V	125V	
Rated Current	13A			5A			
Cable Diameter	3-6.5mm						
Connection Type	Soldering						
IP Rating	IP68						



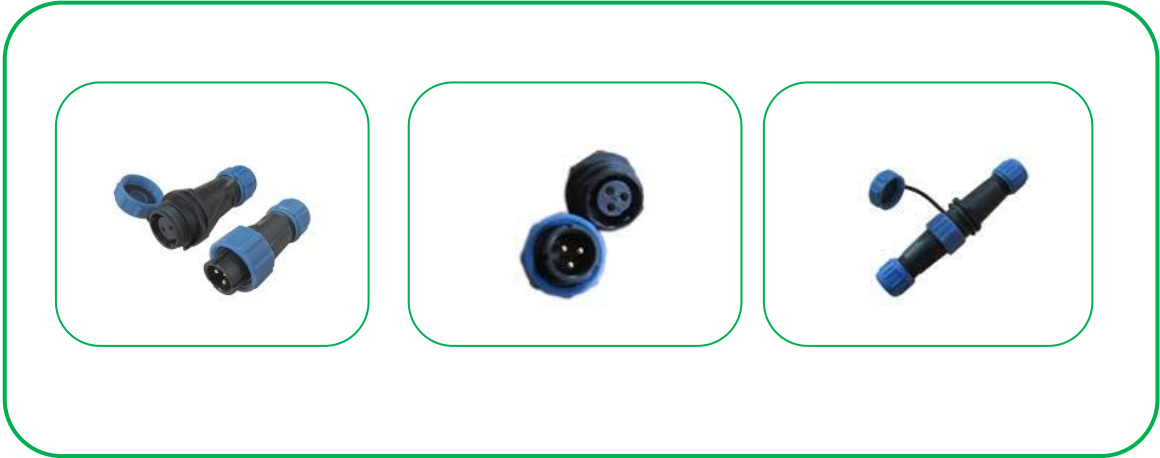
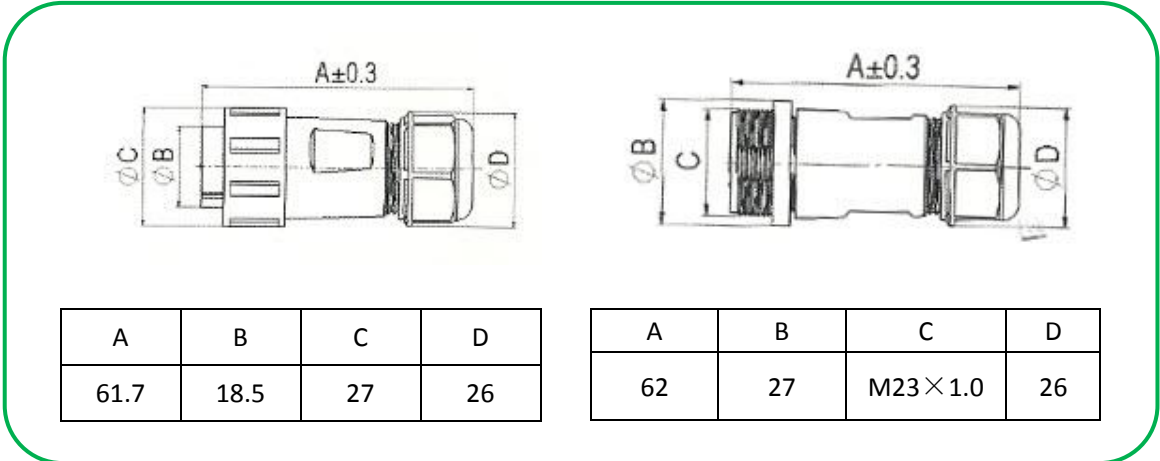
LWC-09:
 Mini IP68 Waterproof Panel Mount Connector
 Secure, safe connections in the harshest outdoor environments.
 Ideal for both indoor and outdoor applications where protection from dust and moisture penetration is a crucial requirement.



Number Of Contracts	2	3	3a	4	5	6	7
Rated Voltage	250V			200V	180V	125V	
Rated Current	13A			5A			
Cable Diameter	3-6.5mm						
Connection Type	Soldering						
IP Rating	IP68						



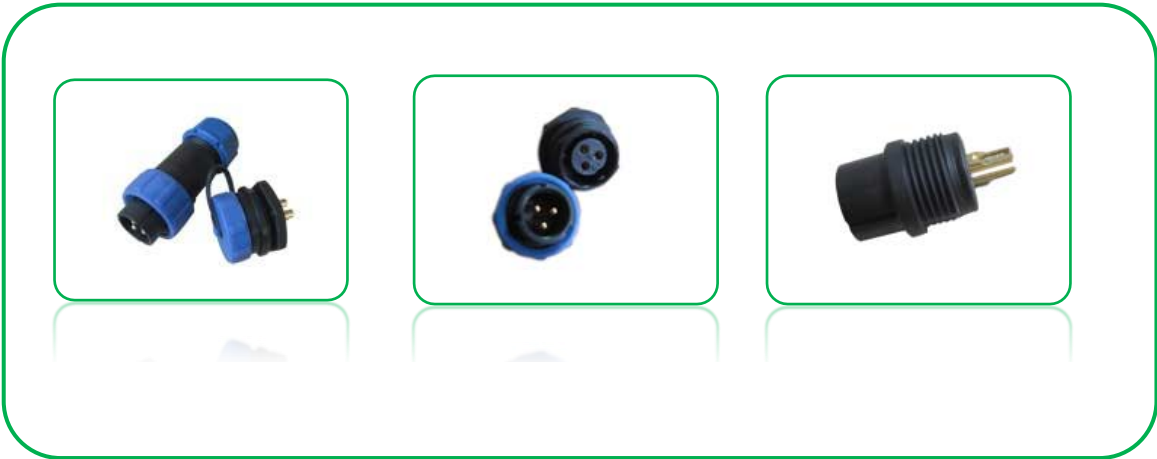
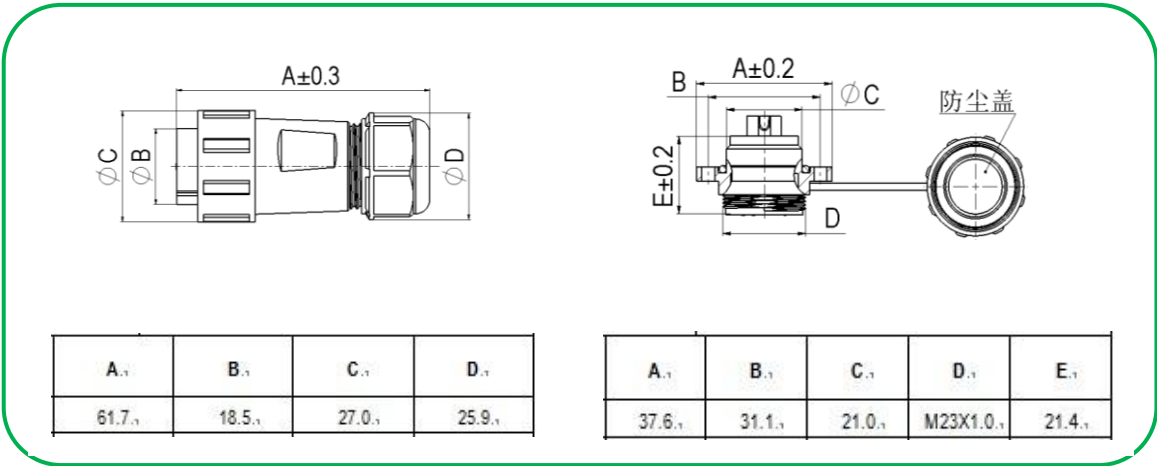
LWC-10:
IP68 Waterproof Cable Circular Connector
 This IP68 Panel Mount Waterproof Connector with a secure locking system easy assembly, Suitable for a wide range of cable diameters, and in difficult places protection from dust and moisture penetration.



Number Of Contracts	2	3	4	5	5a	7	9	10	12
Rated Voltage	500V								
Rated Current	30A			30A/5A		15A	5A	5A	5A
Cable Diameter	6-12mm								
Connection Type	Soldering								
IP Rating	IP68								



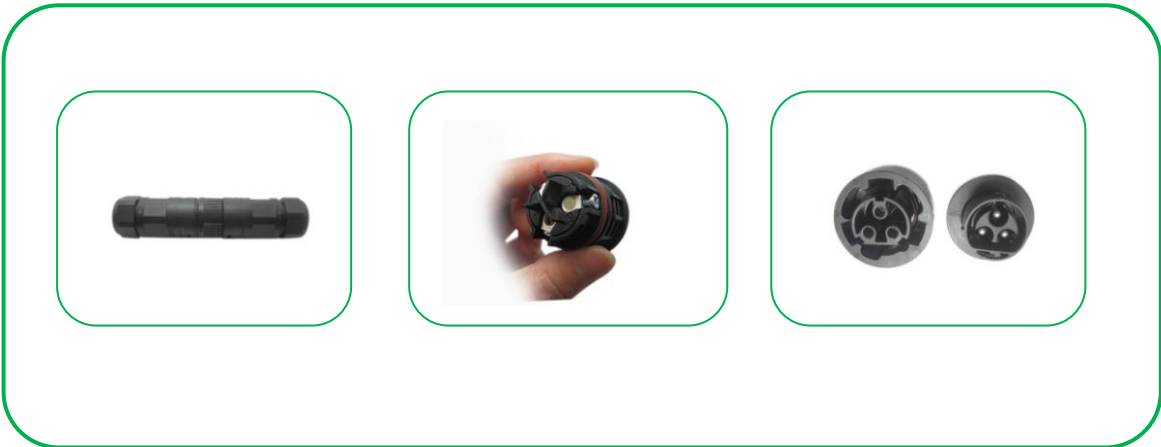
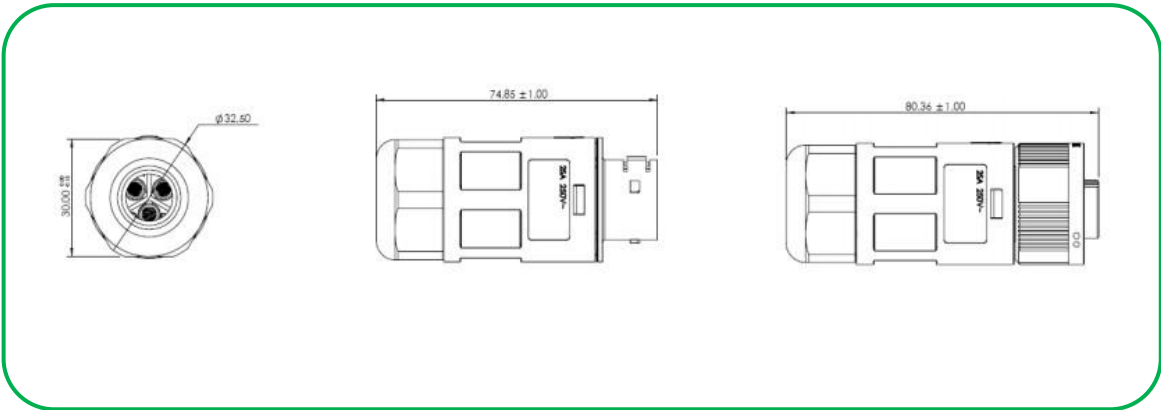
LWC-12:
IP68 Panel-Mounting Waterproof Connector
 This IP68 Panel Mount Waterproof Connector with a secure locking system easy assembly, Suitable for a wide range of cable diameters, and in difficult places protection from dust and moisture penetration.



Number Of Contracts	2	3	4	5	5a	7	9	10	12
Rated Voltage	500V								
Rated Current	30A			30A/5A		15A	5A	5A	5A
Cable Diameter	6-12mm								
Connection Type	Soldering								
IP Rating	IP68								



LWC-13:
 IP68 Waterproof Cable Connector
 Screw Type, 25A
 Suitable for domestic & industrial outdoor applications.



Number Of Contracts	3
Rated Voltage	250V
Rated Current	25A
Cable Diameter	11-14mm
Connection Type	Screw
IP Rating	68

More products will be add into the catalog soon.....

And we can produce the connectors according to your needs, too.

You are welcome to inquiry.